

Strong. Stable. Versatile.
Our flat and square
products



 **saarstahl**
We are Pure Steel+

Flat and square products from Saarstahl

Saarstahl has been producing to the highest of standards for many years with regards to top quality wire rod, steel bar and semi-finished products. Our range of tailor-made flat and square products is also greatly appreciated by our customers all over the world.

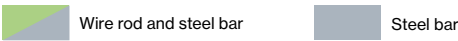
Use our sound knowledge to secure your competitive advantage.

Neunkirchen plant

Dimension ranges for flat bar

Thickness (t)	Width (w)							
mm	16.0 – 21.9	22.0 – 28.9	29.0 – 30.9	31.0 – 49.9	50.0 – 92.0	92.1 – 100.0	100.1 – 110.0	110.1 – 135.0
10.0 – 15.9								
16.0 – 26.0								
26.1 – 29.0								
29.1 – 39.0								
39.1 – 52.0								
52.1 – 54.0								
54.1 – 65.0								
65.1 – 80.0								

Wire rod ratio width / thickness ≥ 2 on request
Other dimensions on request



Dimension ranges for square bar

Dimension (a)	Product
14.0 – 37.0 mm	Wire rod and steel bar
37.0 – 80.0 mm	Steel bar

Cut lengths
Standard: 4.0 m – 15.0 m, shorter or longer lengths on request

Bar end finish
Standard: Cold-sheared, one end or both ends sawn on request

Völklingen plant

Dimension ranges for flat bar

Thickness(t)	Width (w)		
mm	102.0 – 120.0	120.1 – 160.0	160.1 – 206.0
45.0 – 55.0			
55.1 – 86.5			
86.6 – 104.0			

Other dimensions on request



Standard dimensions



Dimensions on request

Dimension ranges for square bar

Dimension (a)	Product
80.0 – 104.0 mm	Standard dimensions
104.1 – 114.0 mm	Dimensions on request

Cut lengths

Standard: 5.0 m – 15.3 m, longer lengths on request

Bar end finish

Sheared ends as standard finish

Steel bar specifications, Neunkirchen plant

Cutting tolerances

Standard: Permitted cutting tolerance of 100 mm, tighter tolerances on request

Straightness of bar material

Standard: Straightness of the bars 4 mm/m, straightening on request

Bundled

Stacked on request

US testing of steel bar

Square 16 – 82 mm
according to the dimensions
Flat width (w) x thickness (t)

20 < w ≤ 31 mm und t ≤ 31 mm
31 < w ≤ 50 mm und t ≤ 50 mm
50 < w ≤ 92 mm und t ≤ 72 mm
92 < w ≤ 110 mm und t ≤ 54 mm
110 < w ≤ 135 mm und t ≤ 43 mm

Length: 4.0 m – 12.0 m

Please contact our technical customer service for more information about testing precision and methods.

Steel bar specifications, Völklingen plant

Cutting tolerances

Standard: Permitted cutting tolerance of 100 mm, tighter tolerances on request

Straightness of bar material

Standard: Straightness of the bars 4 mm/m, straightening on request

Heat treatment

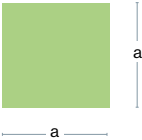
Please contact our technical customer service for more details.

Profile shapes and tolerances

Sharp edge flats according to
DIN EN 10058: 2003 / ASTM A6*
hot-rolled flat steel bar



Square profiles according to
DIN EN 10059: 2003 / ASTM A6*



Flat profiles according to
DIN EN 10092-1: 2003*

Profile A: Hot-rolled flat bar with
half-rounded edges



Profile B: Hot-rolled flat bar with
semi-rounded edges

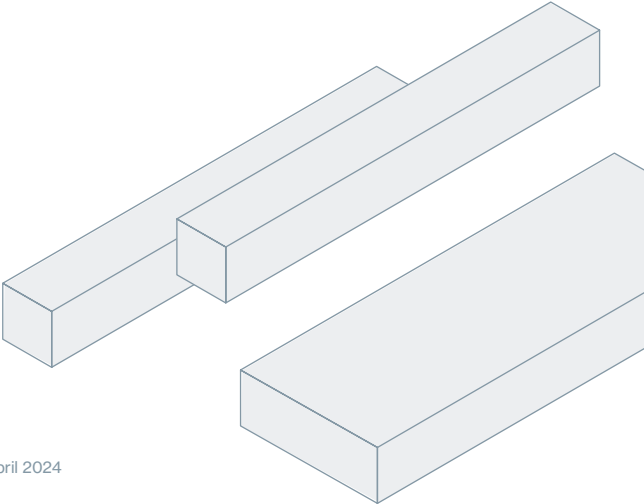


Profile C: Hot-rolled flat bar with
straight ends and rounded corners



Up to 40 mm thickness, the radius
is 8 mm. Over 40 mm thickness, the
radius is 12 mm.

*** Tighter tolerances and additional
profile shapes on request**



Our flat and square products can be manufactured in the following materials

- Ferritic-pearlitic steels for precipitation hardening
- Free cutting steels
- Constructional steels
- Case hardening steels
- Spring steels
- Cold heading steels
- Chain steels
- Steels for hand tools
- Quenched and tempered steels
- Bearing steels



Contact

Saarstahl AG
Bismarckstraße 57–59
66333 Völklingen, Germany
www.saarstahl.com

Sales

Material for cold drawing / Free cutting steel

Dominique Michaeli
Tel.: +49 68 98 10 - 47 30
dominique.michaeli@saarstahl.com

Steel bar for forging and trade

Alexander Noh
Tel.: +49 68 98 10 - 42 30
alexander.noh@saarstahl.com